
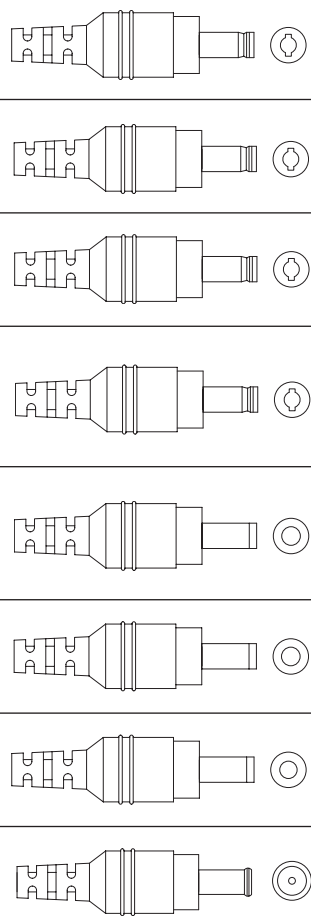
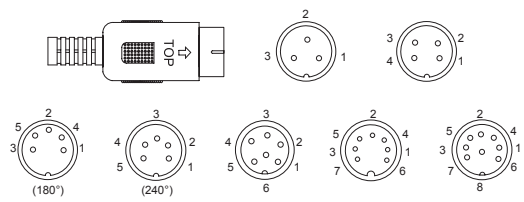


Plug List of Output Cable

| Code | Plug Type | Specification | Outline / Drawing |
|------|---------------|----------------------------|--|
| 00 | Strip & Tined | NC |  |
| 01 | Barrel Type | 5.5x2.1 |  |
| 02 | | 5.5x2.5 | |
| 03 | | 4.75x1.7 | |
| 04 | | 4.0x1.7 | |
| 05 | | 3.5x1.35 | |
| 06 | | 2.35x0.7 | |
| 07 | | 6.3x3.0 | |
| 08 | | 6.5x1.4 | |
| 11 | | Barrel Type Right Angle | |
| 12 | 5.5x2.5 | | |
| 13 | 4.75x1.7 | | |
| 14 | 4.0x1.7 | | |
| 15 | 3.5x1.35 | | |
| 16 | 2.35x0.7 | | |
| 17 | 6.3x3.0 | | |
| 18 | 6.5x1.4 | | |
| 21 | Din (male) | 3Pin |  |
| 22 | | 4Pin | |
| 23 | | 5Pin(180) | |
| 24 | | 5Pin(240) | |
| 25 | | 6Pin | |
| 26 | | 7Pin | |
| 27 | | 8Pin | |

| Code | Plug Type | Specification | Outline / Drawing |
|------|------------------------------|------------------------------|-------------------|
| 31 | Mini-Din (male) | 3Pin | |
| 32 | | 4Pin | |
| 33 | | 5Pin | |
| 34 | | 6Pin | |
| 35 | | 7Pin | |
| 36 | | 8Pin | |
| 41 | Power-Mini Din (male) | 3Pin (Molding) | |
| 42 | | 4Pin (Molding) | |
| 45 | | 3Pin (Assembly/Lock Type) | |
| 46 | | 4Pin (Assembly/Lock Type) | |
| 61 | Interchangeable Connector | 2Pin | |
| 62 | | 2Pin | |
| 63 | | 3Pin | |