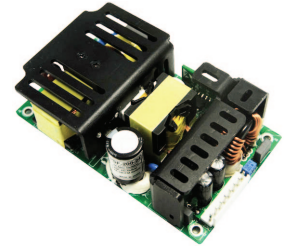


200 Watt Embedded Power Supply

Features

- Universal AC input / Full range
- Built-in Active PFC function
- Withstand 300Vac surge input for 5 sec.
- High efficiency up to 90% (typ)
- Output protections: OLP/OVP/SCP/OPP
- Wide operating ambient temperature (-20°C ~ 70°C)
- All using 105°C long life electrolytic capacitors
- Free air convection for 150W and 200W with 20.5CFM forced air
- 100% full load burn-in test
- 5" x 3" compact size
- 3 year warranty



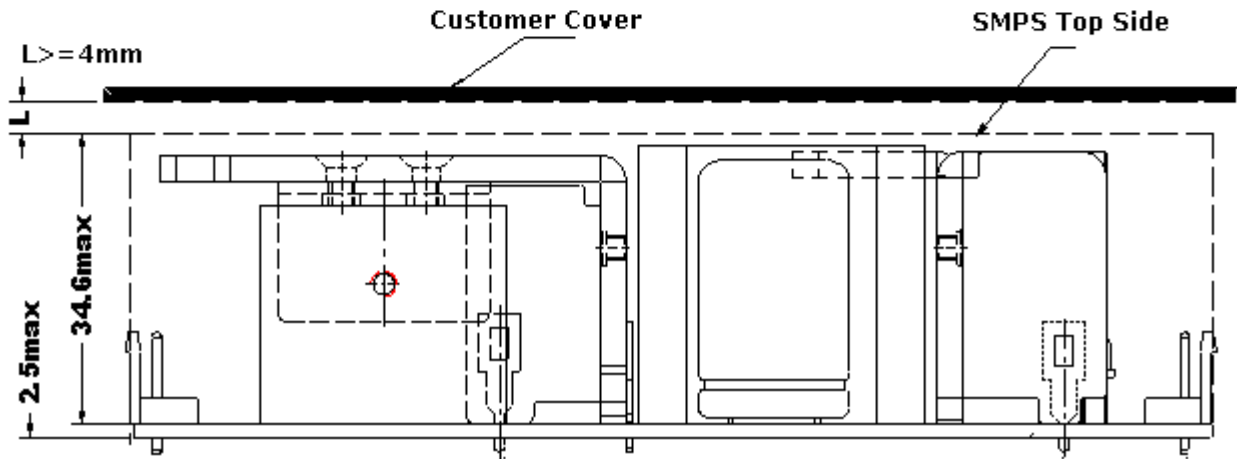
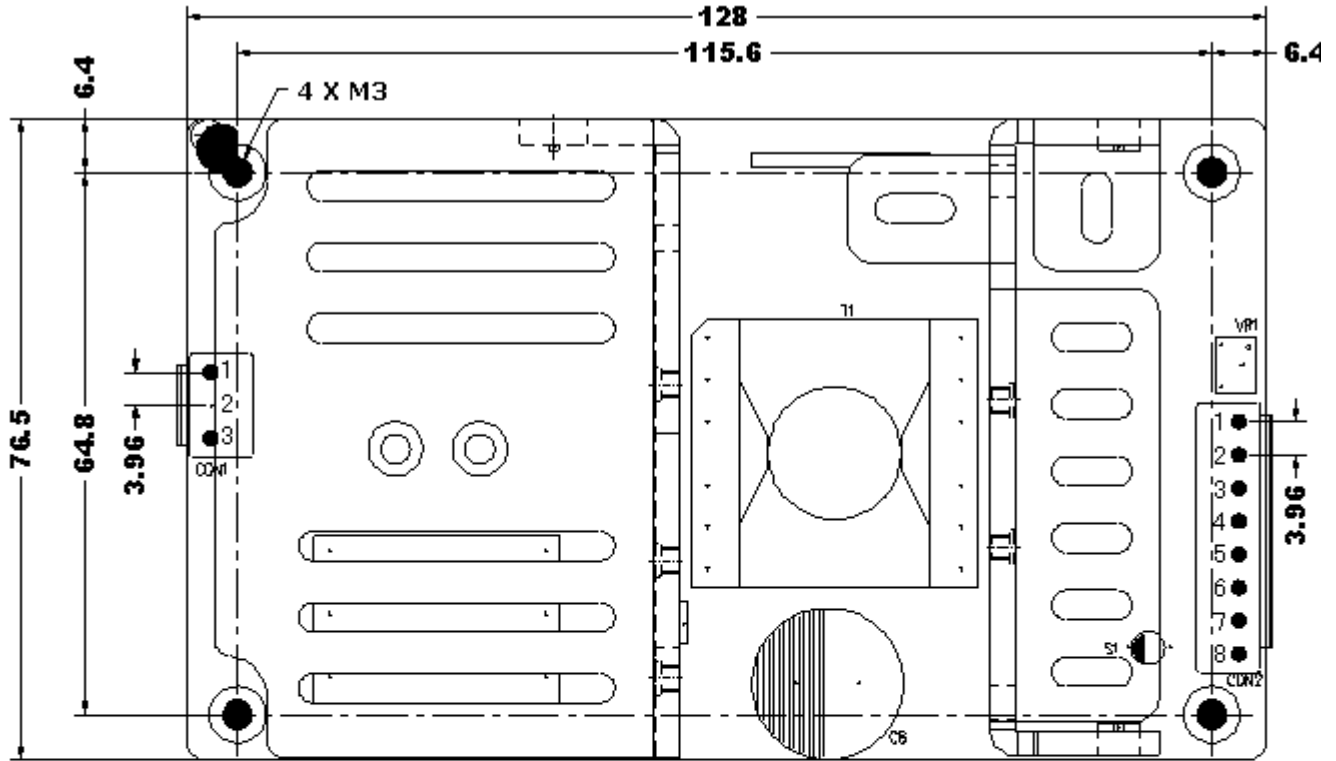
Specifications

CE CB cULus

		PSF-200-12	PSF-200-24	PSF-200-48
OUTPUT	DC Output	12V	24V	48V
	Rated Current	16.6A	8.4A	4.167A
	Current Range (convection)	0 ~ 12.5A	0 ~ 6.25A	0 ~ 3.13A
	Current Range (20.5CFM fan)	0 ~ 16.6A	0 ~ 8.4A	0 ~ 4.167A
	Ripple and Noise (NOTE 2)	100mVp-p	150mVp-p	250mVp-p
	Voltage ADJ. Range	±10% of rated output load		
	Voltage Accuracy	±1.0%		
	Line Regulation	±0.5%		
	Load Regulation	±1.0%		
	Set-up Time	≤ 2S (230Vac input, Full load) & ≤ 4S (115Vac input, Full load)		
	Hold up Time	≥ 16mS/150W 10mS/200W (115 / 230Vac in at full load)		
	Temperature Coefficient	±0.03%/°C		
	Overshoot and Undershoot	< 5.0%		
INPUT	Voltage Range (NOTE 2)	90Vac ~ 264Vac, 127Vdc~370Vdc		
	Frequency Range	47Hz – 63Hz		
	Power Factor (Typical)	PF > 0.98/115VAC PF > 0.95/230VAC		
	Efficiency (Typical)	≥ 89%	≥ 89%	≥ 90%
	AC Current (Max.)	< 3A		
	Inrush Current (Typical)	< 50A@230Vac < 30A@115Vac Cold Start		
	Leakage Current	< 3.5mA		
PROTECTION	Over Current	105% ~ 150% of rated output current, hiccup mode, auto recovery		
	Over Power	105% ~ 150% of rated output current, hiccup mode, auto recovery		
	Over Voltage	125% ~ 150% of rated output voltage, Constant voltage		
	Short Circuit	Long-term, auto recovery		
ENVIRONMENT	Operating amb. Temp. & Hum.	-20°C ~ 70°C; 20% ~ 90%RH	No Condensing	
	Storage Temp. & Hum.	-40°C ~ 85°C; 10% ~ 95%RH	No Condensing	
SAFETY & EMC (NOTE 3)	Safety Standards	UL60950-1; EN60950-1: 2006		
	Withstand Voltage	Primary – Secondary: 3.0KVac; ≤10mA Primary – PG: 1.5KVac; ≤10mA Secondary – PG: 0.5KVDC; ≤10mA		
	Isolation Resistance	100M ohms		
	EMI Conduction & Radiation	Compliance to EN55022, EN55024 Class B		
	Harmonic Current	Compliance to EN61000-3-2, -3		
	EMS Immunity	Compliance to EN61000-4-2,3,4,5,6,8,11; EN55024, EN61000-6-2 heavy industry level		
OTHERS	MTBF (MIL-HDBK-217F)	More than 200,000Hrs (25°C, Full load)		
	Dimension (L*W*H)	128 x 76.5 x 34.6 mm (5" * 3")		
	Packing	21PCS/CTN, 8.46KGS, 0.015CBM		
	Cooling Method	Cooling by free air convection		
NOTE	1. All parameters NOT specially mentioned are measured at rated input, rated load and 25°C of ambient temperature 2. Measured at 20MHz of bandwidth by using a 12" twisted pair-wire terminated with a 0.1 uF & 10uF parallel capacitor 3. The SPS is considered a component which will be installed into final equipment. The equipment must be re-confirmed that it still meets EMC directives			

Mechanical Specification

unit: mm (Tolerance ±1mm)

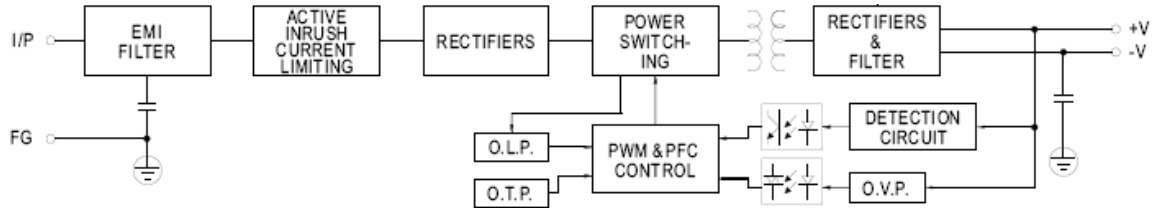


Pin Description:

INPUT CON1: Pin1=AC(L) Pin3=AC(N)
 OUTPUT CON2: Pin1-4= -V Pin5-8=+V

ITEM	Connectors	Mating Housing	Contacts
AC IN(CON1)	LANDWIN3961P0300T(Central Pin removed)	LANDWIN 3960S or JST VHR or Molex 51144	LANDWIN 3963T011R or JST SVH-21T-P1.1 Or Molex 50539
DC OUT(CON2)	LANDWIN 3961P0800T		

Block Diagram



Derating Curve

