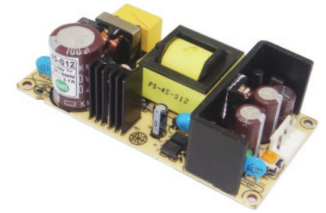


45 Watt Embedded Power Supply

Features

- Universal AC input / Full range (90 ~ 264Vac)
- High efficiency, long life and high reliability
- Output protections: SCP/OVP/OLP/OPP
- Wide operating ambient temperature (-10°C ~ 60°C)
- All using 105°C long life electrolytic capacitors
- 100% full load burn-in test
- 3 year warranty



Specifications

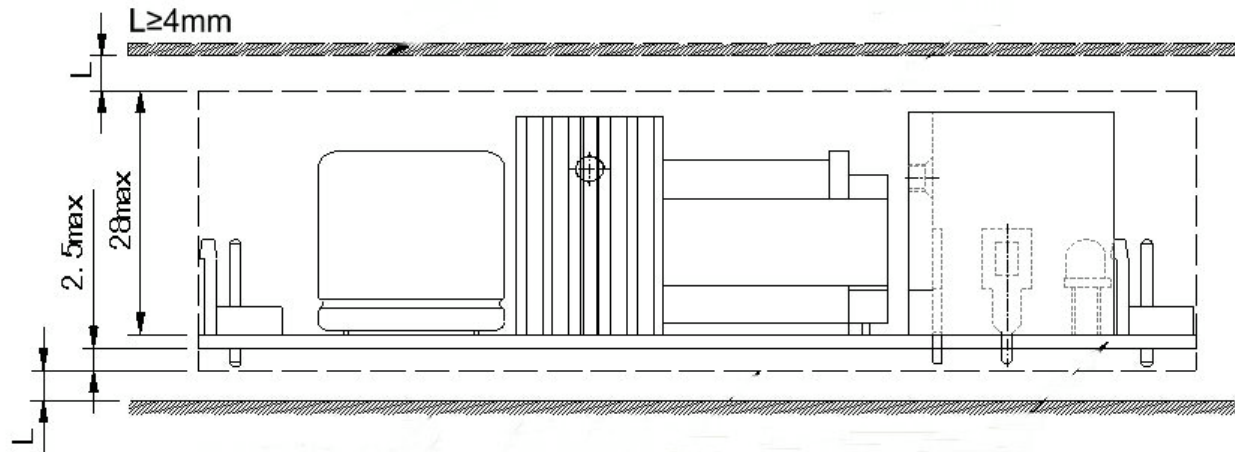
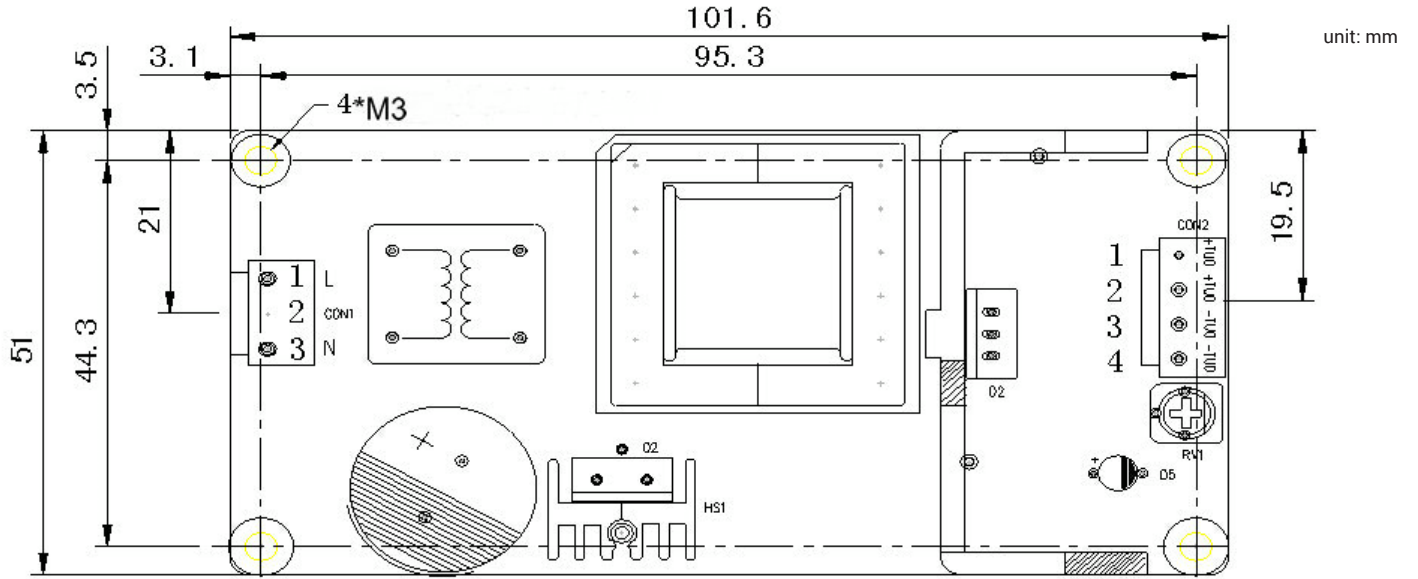
PS-45-S12

PS-45-S24

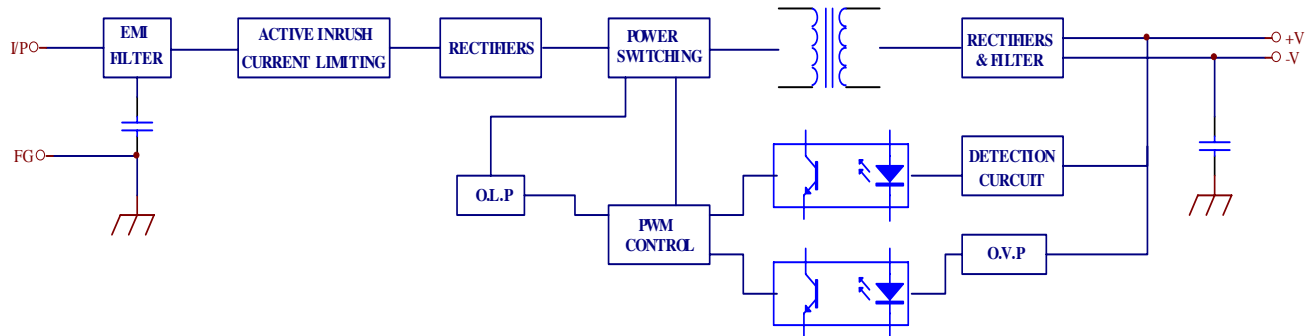
PS-45-S48

OUTPUT		PS-45-S12	PS-45-S24	PS-45-S48	
OUTPUT	DC Output	12V	24V	48V	
	Rated Current	3.7A	1.9A	1A	
	Ripple and Noise (NOTE 1)	0 ~ 60°C	≤ 120mV	≤ 120mV	≤ 120mV
		-10°C ~ 0°C	≤ 200mV	≤ 200mV	≤ 200mV
	Voltage ADJ. Range	11.4 ~ 13.2V	22.8 ~ 26.4V	45.6 ~ 52.8V	
	Voltage Accuracy	±3.0%			
	Line Regulation	±1.0%			
	Load Regulation	±3.0%			
	Set-up Time	≤ 0.8S@230Vac	Full load		
	Hold up Time	≥ 60mS@230Vac	Full load		
Temperature Coefficient	±0.05%/°C				
Overshoot and Undershoot	< 5.0%				
INPUT	Voltage Range (NOTE 2)	90Vac ~ 264Vac			
	Frequency Range	47Hz – 63Hz			
	Efficiency (Typical)	220Vac input	≥ 82%	≥ 85%	≥ 86%
	AC Current (max.)	< 1A (115Vac)	< 0.6 (230Vac)		
	Inrush Current (Typical)	< 20A@115Vac	< 45A@230Vac	Cold Start	
	Leakage Current	Input to Output: ≤ 0.25mA; Input to PG: ≤ 3.5mA			
PROTECTION	Over Load	3.9 ~ 6.2A	2.0 ~ 3.2A	1.1 ~ 1.56A	
		Protection type: hiccup mode, auto recovery			
	Over Voltage	13.8 ~ 16.2V	27.6 ~ 32.4V	55.2 ~ 64.8V	
		Protection type: constant voltage, auto recovery			
	Over Power	46.8 ~ 75W	48 ~ 75W	53 ~ 75W	
Shorted Circuit	Long-term mode, auto recovery				
ENVIRONMENT	Operating amb. Temp. & Hum.	-10°C ~ 60°C; 20% ~ 90%RH	No Condensing (refer to the derating curve)		
	Storage Temp. & Hum.	-25°C ~ 85°C; 10% ~ 95%RH	No Condensing		
SAFETY & EMC (NOTE 3)	Safety Standards	UL60950-1; EN60950-1: 2006			
	Withstand Voltage	Input – Output: 3.0kVac/10mA; Output – PG: 1.5kVac/10mA; Output – PG: 0.5kVdc/≤10mA			
	Isolation Resistance	≥100M ohms			
	EMI Conduction & Radiation	Compliance to EN55022 Class B			
	Harmonic Current	Compliance to EN61000-3-2, -3			
	EMS Immunity	Compliance to EN61000-4-2,3,4,5,6,8,11; heavy industry level			
OTHERS	MTBF (MIL-HDBK-217F)	More than 200,000Hrs (25°C, Full load)			
	Dimension (L*W*H)	101.6 x 51 x 28 mm			
	Packing	60PCS/CTN, 11KGS, 0.024CBM			
	Cooling Method	Cooling by free air convection			
NOTE	1. All parameters NOT specially mentioned are measured at rated input, rated load and 25°C of ambient temperature 2. Measured at 20MHz of bandwidth by using a 12" twisted pair-wire terminated with a 0.1 uF & 10uF parallel capacitor 3. The SPS is considered a component which will be installed into final equipment. The equipment must be re-confirmed that it still meets EMC directives				

Mechanical Specification



Block Diagram



Derating Curve

负载电流与环境温度降额曲线

