

600 Watt Embedded Power Supply

Features

- Universal AC input / Full range
- Built-in active PFC function, PF > 0.96
- Using ZVS technology to reduce power dissipation
- Built in fan speed control and over temp. protection
- Built in AC inrush current limiting circuit (<20A)
- Built in constant current limiting circuit
- Built in Remote Sense Function
- Built in DC OK signal
- Wide operating ambient temperature (-30°C ~ 70°C)
- 1U low profile, 41mm
- 3 year warranty

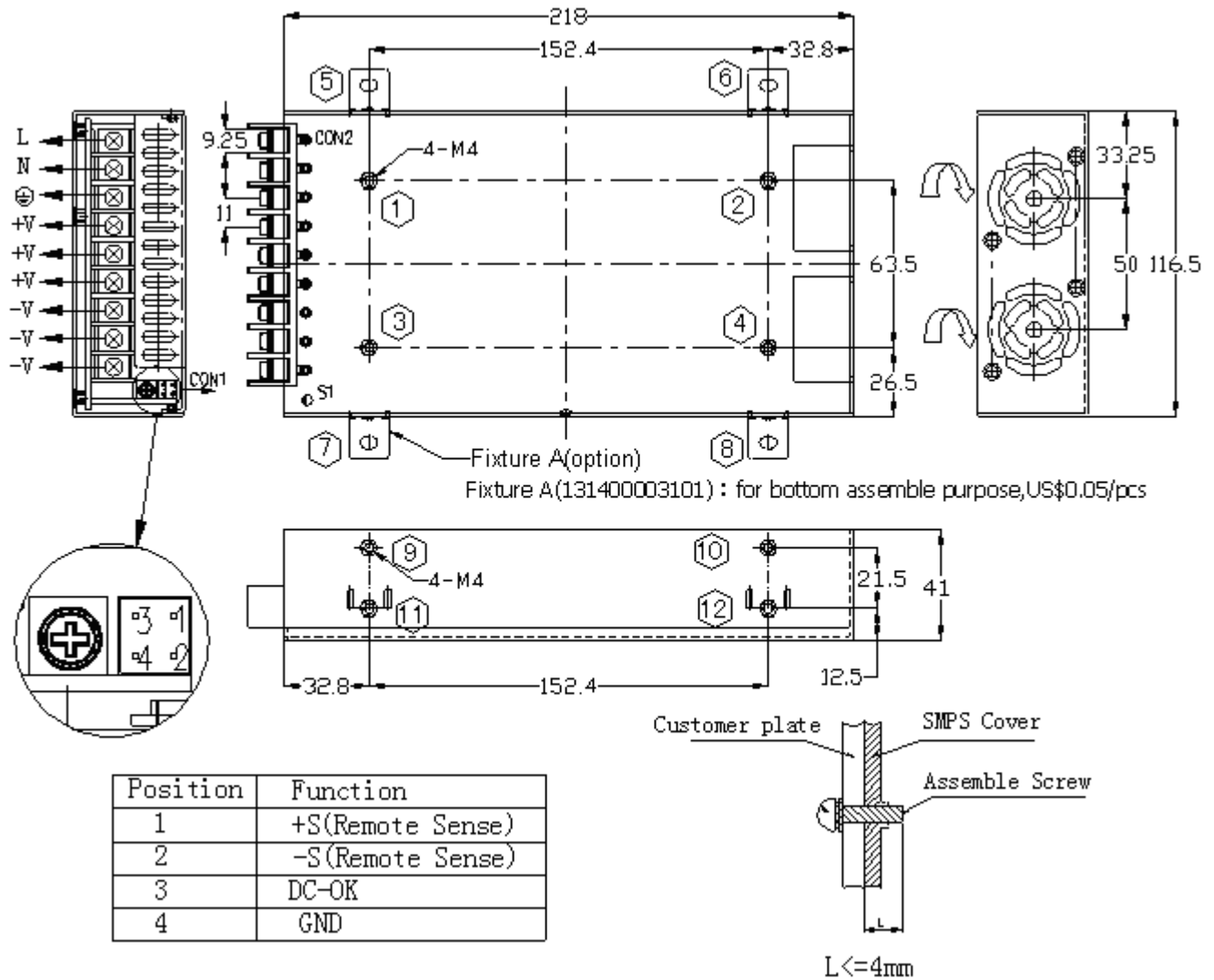


Specifications

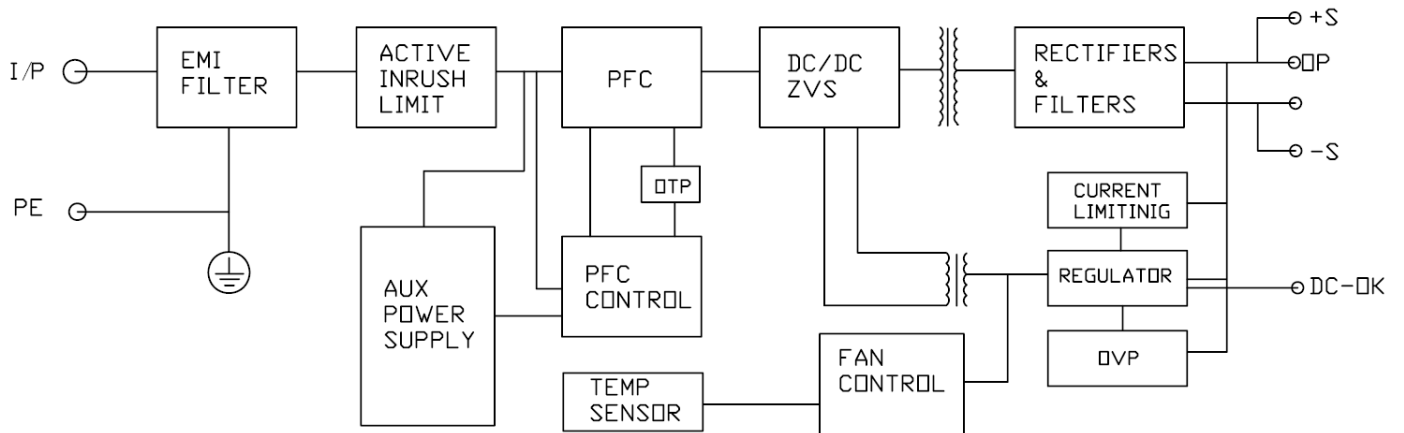
		PDF-600-12	PDF-600-24	PDF-600-36	PDF-600-48	
OUTPUT	DC Output	12V	24V	36V	48V	
	Rated Current (100 ~ 127Vac) (NOTE 1)	34A	22A	14A	11A	
	Rated Current (128 ~ 264Vac)	42A	26.5A	17.5A	13.6A	
	Ripple and Noise (NOTE 2)	0 ~ 70°C	120mV	150mV	150mV	200mV
		-30°C	180mV	150mV	150mV	200mV
	Voltage ADJ. Range	-5% ~ +10% of rated output voltage				
	Voltage Accuracy	±2.0%	±2.0%	±2.0%	±2.0%	
	Line Regulation	±0.5%	±0.5%	±0.5%	±0.2%	
	Load Regulation	±1.0%	±1.0%	±1.0%	±1.0%	
	Set-up Time	< 1.5S (230Vac input, Full load) < 3S (115Vac input, Full load)				
	Hold up Time	> 16mS (230Vac input, Full load)				
Temperature Coefficient	±0.05%/°C					
Overshoot and Undershoot	< 5.0%					
INPUT	Voltage Range	90Vac ~ 264Vac				
	Frequency Range	47Hz – 63Hz				
	Efficiency (Typical)	88%	89%	90%	90%	
	AC Current (Max.)	< 7A				
	Inrush Current (Typical)	< 20A@120Vac Cold Start				
	Leakage Current	Input – output: ≤ 0.1mA Input – PG: ≤ 0.75mA				
PROTECTION	Over Load	110% ~ 135% of rated output current, constant current				
	Over Temperature	105°C + 5°C (detect on Mosfet temperature); shut down, auto recovery at 75°C				
	Over Voltage	110% ~ 150% of rated voltage, constant voltage				
	Short Circuit	Long-term mode, constant current, auto recovery				
ENVIRONMENT	Operating amb. Temp. & Hum.	-30°C ~ 70°C; 20% ~ 90%RH		No Condensing (refer to the derating curve)		
	Storage Temp. & Hum.	-40°C ~ 85°C; 10% ~ 95%RH		No Condensing		
SAFETY & EMC (NOTE 3)	Safety Standards	UL60950-1 2 nd Ed; IEC 60950-1:2005 2 nd Ed; EN60950-1: 2006				
	Withstand Voltage	Primary – Secondary: 3.0KVac; ≤10mA Primary – PG: 1.5KVac; ≤10mA Secondary – PG: 0.5KVac; ≤10mA				
	Isolation Resistance	≥100M ohms				
	EMI Conduction & Radiation	Compliance to EN55022, Class B				
	Harmonic Current	Compliance to EN61000-3-2, class D				
	EMS Immunity	Compliance to EN61000-4-2,3,4,5,6,8,11; heavy light industry level,				
OTHERS	MTBF (MIL-HDBK-217F)	More than 200,000Hrs (25°C, Full load)				
	Dimension (L*W*H)	218 x 116.5 x 41 mm				
	Packing	6PCS/CTN, 8.7KGS, 0.04CBM				
	Cooling Method	Forced air cooling (Built-in fan)				
NOTE	1. All parameters NOT specially mentioned are measured at rated input, rated load and 25°C of ambient temperature 2. Measured at 20MHz of bandwidth by using a 12" twisted pair-wire terminated with a 0.1 uF & 47uF parallel capacitor 3. The SPS is considered a component which will be installed into final equipment. The equipment must be re-confirmed that it still meets EMC directives					

Mechanical Specification

unit: mm



Block Diagram



Derating Curve

