

# PDF-800 Series

## Features

- Universal AC input / Full range
- Built-in active PFC function, PF > 0.96
- Using ZVS technology to reduce power dissipation
- Output protection: OVP/OLP/SCP/OPP/OTP
- Built in fan speed control
- Built in AC inrush current limiting circuit (<20A)
- Built in constant current limiting circuit
- Built in Remote Sense Function
- Built in DC OK signal
- Wide operating ambient temperature (-30°C~70°C)
- 1 U low profile, 41mm
- 100% full load burn-in test
- 3 year warranty

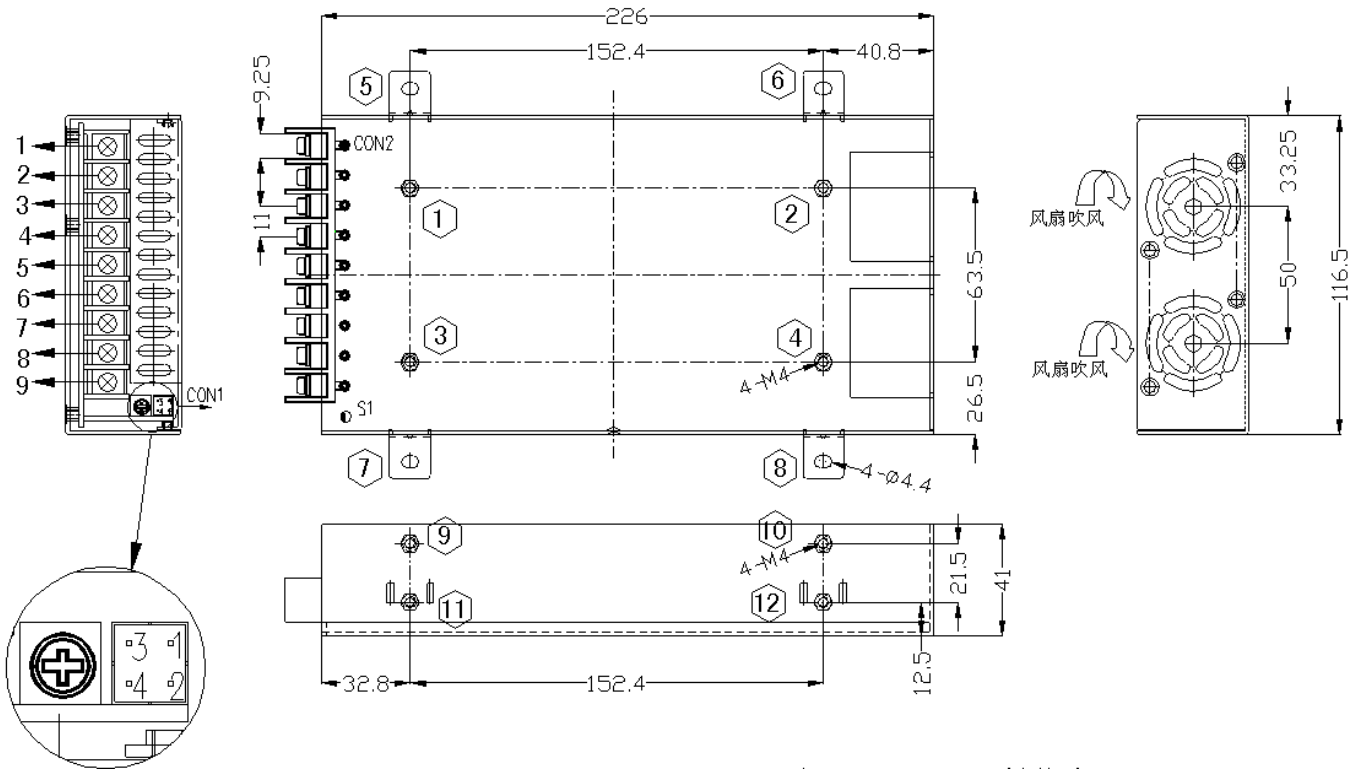


## SPECIFICATIONS

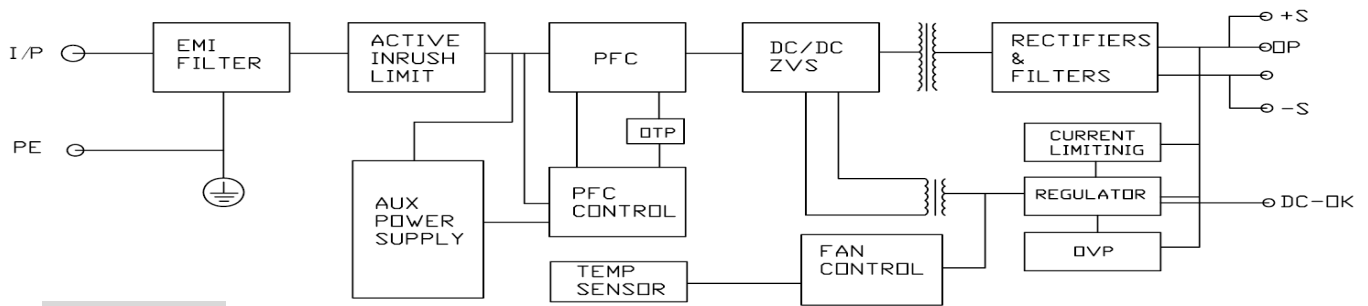
MODEL		PDF-800-24	PDF-800-48	
OUTPUT	DC Output	24V	48V	
	Rated Current (100 ~ 127Vac) (NOTE 1)	27A	14A	
	Rated Current (128 ~ 264Vac)	33A	16.5A	
	Ripple and Noise (NOTE 2)	≤ 200mV	≤ 240mV	
	Voltage ADJ. Range	-5% ~ +10% of rated output voltage		
	Voltage Accuracy	±2%		
	Line Regulation	±0.5%		
	Load Regulation	±2%		
	Set-up Time	≤ 3S (220Vac input, Full load)		
	Hold up Time	≥ 8mS (220Vac input, Full load)		
	Temperature Coefficient	±0.03%/°C		
	Overshoot and Undershoot	< 5.0%		
	INPUT	Voltage Range	90Vac ~ 264Vac	
Frequency Range		47Hz – 63Hz		
Power Factor (Typical)		PF ≥ 0.96/230VAC	PF ≥ 0.98/115VAC	Full Load
Efficiency (Typical)		≥ 88%		≥ 89%
AC Current (max.)		≤ 12A		
Inrush Current (Typical)		≤ 20A@220Vac Cold Start		
Leakage Current		Input – output: ≤ 0.25mA Input – PG: ≤ 3.5mA		
PROTECTION	Over Load	110% ~ 135% of rated output current, constant current, auto recovery		
	Over Power	110% ~ 135% of rated output power, constant current, auto recovery		
	Over Temperature	105°C ± 5°C (detect on Mosfet temperature); shut dwn, auto recovery after temperature goes down to 70°C		
	Over Voltage	110% ~ 150% of rated output voltage, constant voltage, auto recovery		
	Shorted Circuit	Long-term mode, constant current, auto recovery		
ENVIRONMENT	Operating amb. Temp. & Hum.	-30°C ~ 70°C; 20% ~ 90%RH No Condensing (refer to the derating curve)		
	Storage Temp. & Hum.	-40°C ~ 85°C; 10% ~ 95%RH No Condensing		
SAFETY & EMC (NOTE 3)	Safety Standards	UL60950-1 2nd Ed; IEC 60950-1: 2005 (2nd Ed); EN60950-1:2006		
	Withstand Voltage	Primary – Secondary: 3.0KVac; ≤10mA Primary – PG: 1.5KVac; ≤10mA Secondary – PG: 0.5KVac; ≤10mA		
	Isolation Resistance	≥100M ohms		
	EMI Conduction & Radiation	Compliance to EN55022, Class B		
	Harmonic Current	Compliance to EN61000-3-2, Class D		
	EMS Immunity	Compliance to EN61000-4-2,3,4,5,6,8,11; heavy industry level		
OTHERS	MTBF (MIL-HDBK-217F)	More than 200,000Hrs (25°C, Full load)		
	Dimension (L*W*H)	226 x 116.5 x 41 mm		
	Packing	6PCS/CTN, 8.9KGS, 0.04CBM		
	Cooling Method	Force air cooling (built-in fan, the fan speed is controlled by load and internal temp.)		
NOTE	<ol style="list-style-type: none"> <li>1. All parameters NOT specially mentioned are measured at rated input, rated load and 25°C of ambient temperature</li> <li>2. Measured at 20MHz of bandwidth by using a 12" twisted pair-wire terminated with a 0.1 uF &amp; 47uF parallel capacitor</li> <li>3. The SPS is considered a component which will be installed into final equipment. The equipment must be re-confirmed that it still meets EMC directives</li> </ol>			

# PDF-800 Series

## Mechanical Specification Unit:mm



## Block Diagram



## Derating curve

