

# GKF-240 Series

## Features

- Universal AC input
- Built-in active PFC, PF > 0.95
- Withstand 300Vac surge input for 5 sec
- High efficiency, long life and high reliability
- Output protection: SCP/OLP/OPP
- Wide operating ambient temperature (-25°C~70°C)
- Operating altitude up to 5000m
- PCB soldering side with conformal coating
- All using 105°C long life electrolytic capacitors
- 100% full load burn-in test
- Built-in cooling fan speed control
- 3 year warranty



## SPECIFICATIONS

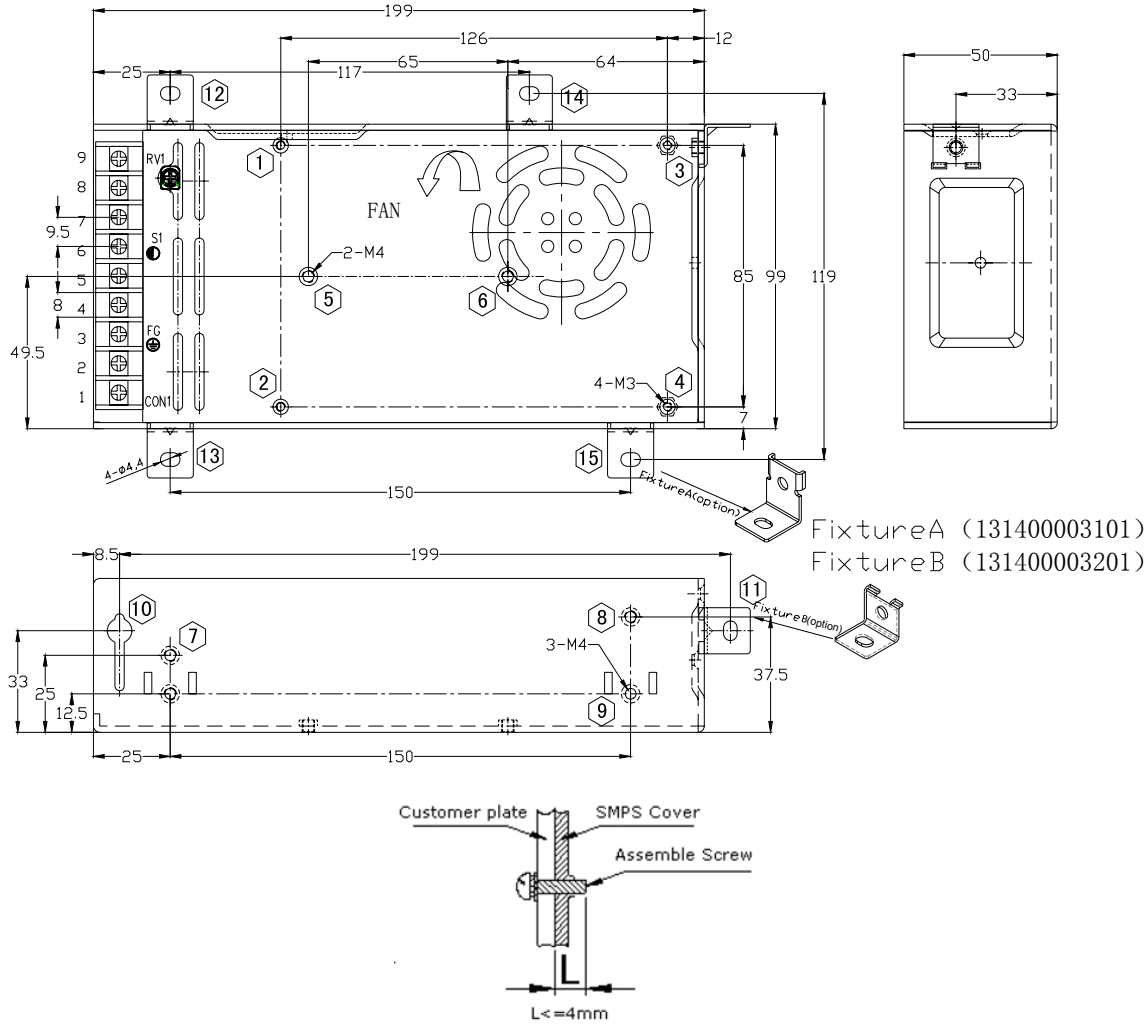


MODEL		GKF-240-5	GKF-240-12	GKF-240-24	GKF-240-48
OUTPUT	DC Output	5.0V	12V	24V	48V
	Rated Current	48A	20A	10A	5A
	Current Range (NOTE 1)	0 ~ 48A	0 ~ 20A	0 ~ 10A	0 ~ 5A
	Ripple and Noise (NOTE 2)	< 150mV	< 150mV	< 200mV	< 200mV
	Voltage ADJ. Range	-5% ~ +10% of rated output voltage			
	Voltage Accuracy	±1.0%			
	Line Regulation	±0.5%			
	Load Regulation	±1.0%			
	Set-up Time	≤ 2S (230Vac input, Full load)			
	Hold up Time	≥ 10mS (230Vac input, Full load)			
	Temperature Coefficient	±0.03%/°C			
Overshoot and Undershoot	< 5.0%				
INPUT	Voltage Range	85Vac ~ 264Vac, 120Vdc~370Vdc			
	Frequency Range	47Hz – 63Hz			
	Power Factor (Typical)	PF > 0.98/115VAC PF > 0.95/230VAC			
	Efficiency (Typical)	79%	84%	86%	87.5%
	AC Current (max.)	< 4.0A			
	Inrush Current (Typical)	< 50A@230Vac < 30A@115Vac Cold Start			
	Leakage Current	Input – output: < 0.25mA Input – PG: < 1.0mA			
PROTECTION	Over Load	105% ~ 150% of rated output current, hiccup mode, auto recovery			
	Over Power	105% ~ 150% of rated output power, hiccup mode, auto recovery			
	Short Circuit	Long-term mode, auto recovery			
ENVIRONMENT	Operating amb. Temp. & Hum.	-25°C ~ 70°C; 20% ~ 90%RH No Condensing (refer to the derating curve)			
	Vibration	10 ~ 150Hz, 2G 10 min / 1 cycle, period for 60 min. each along X, Y, Z axes			
	Storage Temp. & Hum.	-40°C ~ 85°C; 10% ~ 95%RH No Condensing			
SAFETY & EMC (NOTE 3)	Safety Standards	UL60950-1 2nd Ed; IEC 60950-1: 2005 (2nd Ed); EN60950-1:2006			
	Withstand Voltage	Primary – Secondary: 3.0KVac; ≤10mA Primary – PG: 1.5KVac; ≤10mA Secondary – PG: 0.5KVDC; ≤10mA			
	Isolation Resistance	≥100M ohms			
	EMI Conduction & Radiation	Compliance to EN55022, EN55024 Class B			
	Harmonic Current	Compliance to EN61000-3-2, -3			
	EMS Immunity	Compliance to EN61000-4-2,3,4,5,6,8,11; EN55024, EN61000-6-2 heavy industry level			
OTHERS	MTBF (MIL-HDBK-217F)	More than 200,000Hrs (25°C, Full load)			
	Dimension (L*W*H)	199 x 99 x 50 mm			
	Packing	20PCS/CTN, 15.8KGS, 0.053CBM			
	Cooling Method	Cooling by forced air (built-in DC fan)			
NOTE	<ol style="list-style-type: none"> <li>1. All parameters NOT specially mentioned are measured at rated input, rated load and 25°C of ambient temperature</li> <li>2. Measured at 20MHz of bandwidth by using a 12" twisted pair-wire terminated with a 0.1 uF &amp; 47uF parallel capacitor</li> <li>3. The SPS is considered a component which will be installed into final equipment. The equipment must be re-confirmed that it still meets EMC directives</li> </ol>				

# GKF-240 Series

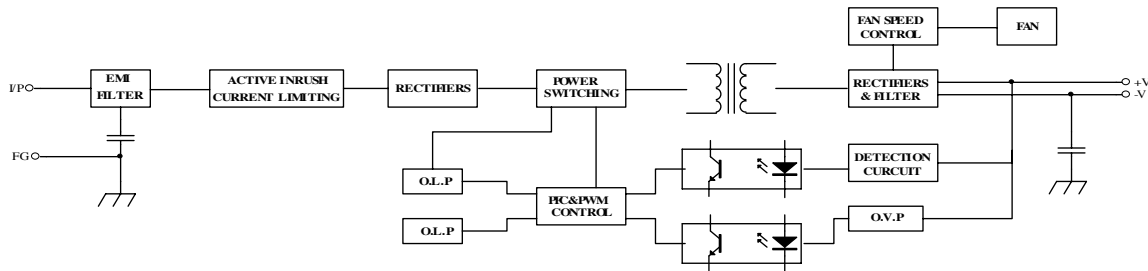
unit:mm

## Mechanical Specification



FixtureA (131400003101)  
 FixtureB (131400003201)

## Block Diagram



## Derating Curve

